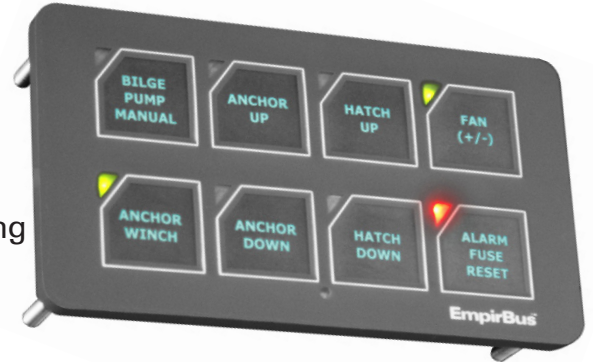


- NMEA2000 Switch Panel
- 8 Programmable Switches
- LED Running and Alarm Indication for each Switch
- User Defined Switch Labels - Symbols or Text
- Backlit for Dusk / Night Time Operation
- Integrated Buzzer for Operator Feedback / Alarm Warning
- Designed for the Marine Environment
- IP65 protection
- UV Stable



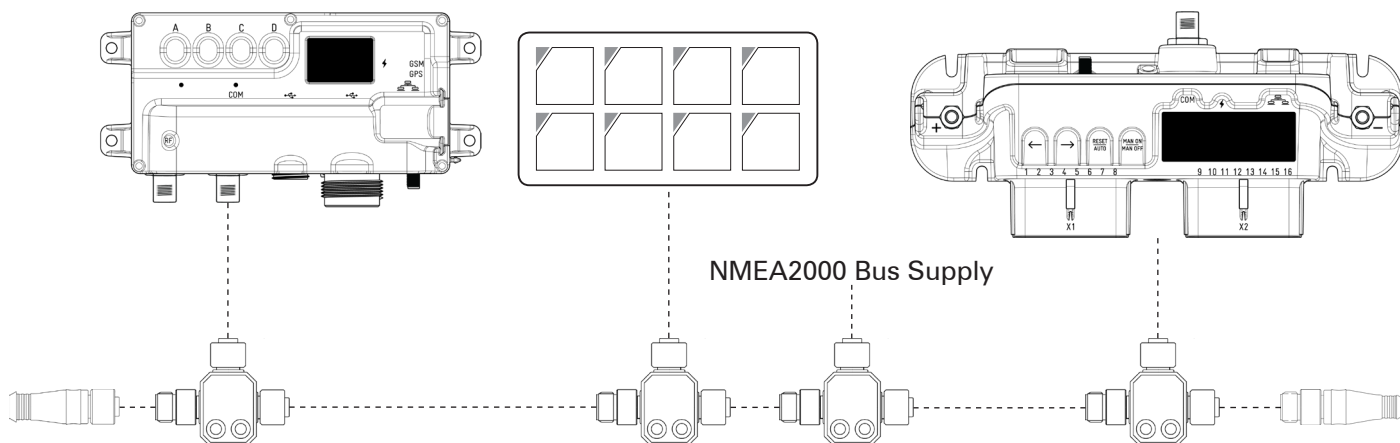
## Description

The 8BP is a 8 way digital switch component for the EmpirBus NXT NMEA2000 control, monitoring and distribution system. 8BP is used to provide control inputs to the system via the switches and status information back to the user by the individual LED indicators. An integrated audible warning device provides both operator feedback on key press and should an alarm condition arise an audible warning. Fitting the unit is simple using the supplied template and it may be fitted to any flat surface up to 20mm deep. The 8BP may be fitted internally or externally, when fitted externally the 8BP is waterproof from the front (IP65 rated), is UV stable and operates from -20 to +70C. For night time operation the 8BP is back lit and both the back lighting and running/warning indications can be dimmed to suite specific conditions either as individual panels or groups.

Labeling the switch functions is achieved by sliding a printed insert into the back of the switch panel. This allows the user to define the labels to be exactly what they need in terms of text, symbols and colour and then print and insert to the switch panel. Should a replacement panel be required the 8BP is self-adapting once the base address has been entered using the switches.

For volume users the membrane panel is available in a choice of colours and with the customer logo.

# Connection example NMEA2000



## Specifications

**Communication:** CAN-bus NMEA 2000

**Power supply:** Power consumption  
max/average 300mA/0,25mA  
Supply voltage 9–32VDC

**Connector:**

NMEA 2000      Micro 5pin M12 Male

**Ambient temp:** -20 to +70 degrees Celsius

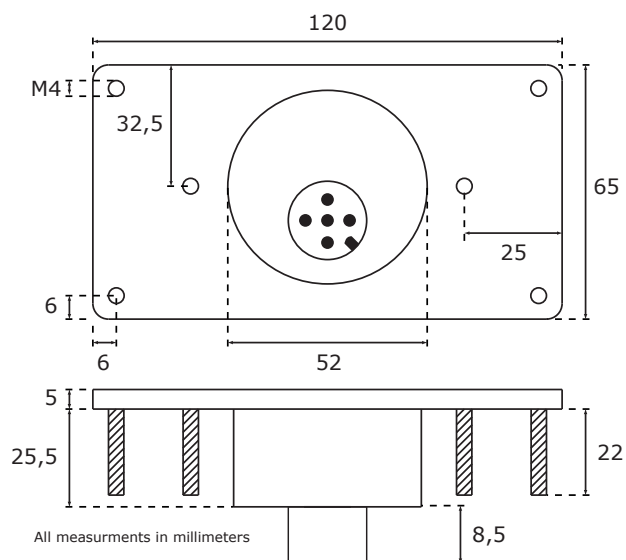
**Enclosure:** Ingress Protection IP65  
from the front face. The panel  
must be fitted correctly

**Dimensions:** 120x65x39 mm

**Regulation comp:** ABYC, RoHS

**Weight:** 0,2 kg

## Dimensions



## Articles

2041111      Panel with 8 membrane buttons

2042111      Panel with 8 membrane buttons bulk pack 20pcs

Version.2010.11.12

Trigentic AB  
Norra Drottninggatan 28  
SE-451 31 Uddevalla  
Sweden

Support  
Phone: +46 522-44 38 88  
E-mail: support@empirbus.com  
Web: www.empirbus.com

MEMBER  
**ABYC**<sup>®</sup>  
Setting Standards for Safer Boating